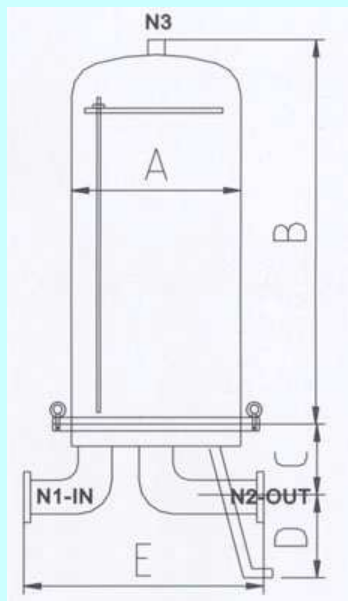
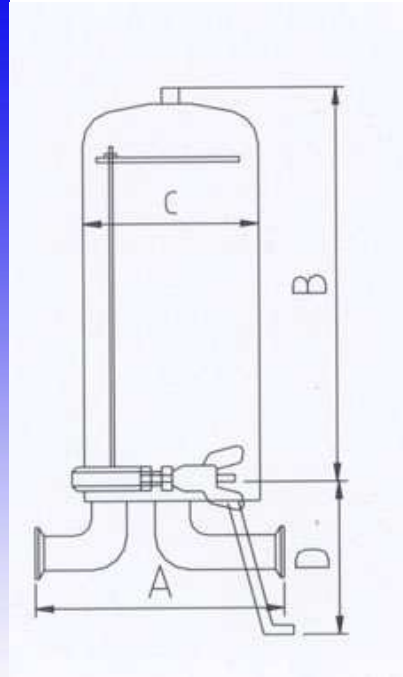


DL-RS Sanitary Filter



Model	A (mm)	B (mm)	C (mm)	D (mm)	E (mm)	N1	N2	N3
8RS3	350	850	130	80	250	2"	2"	1/4"
10RS3	350	850	130	80	250	2"	2"	1/4"
12RS3	350	850	180	10	300	3"	3"	1/4"
16RS3	406	850	180	100	300	3"	3"	1/4"
20RS3	486	850	180	100	300	3"	3"	1/4"
22RS3	486	850	200	110	350	4"	4"	1/4"

6RS Sanitary Filter



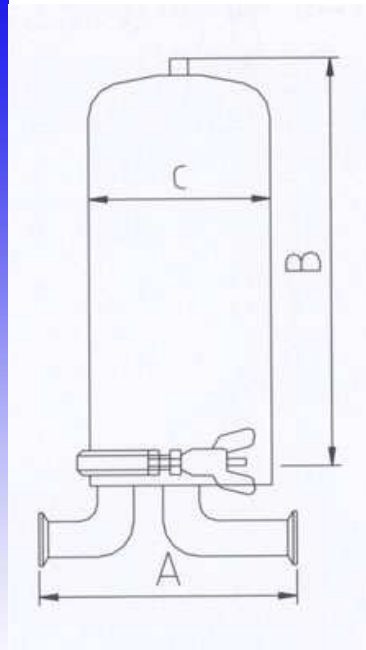
Connector Type

Model	A (mm)	B (mm)	C (mm)	D (mm)
6RS1	335	410	238	200
6RS2	335	660	238	200
6RS3	335	910	238	200
6RS4	335	1160	238	200

Flange Type

Model	A (mm)	B (mm)	C (mm)	D (mm)
6RS1	400	410	238	200
6RS2	400	660	238	200
6RS3	400	910	238	200
6RS4	400	1160	238	200

1RS Sanitary Filter



Connector Type

Model	A (mm)	B (mm)	C (mm)
1RS1	200	350	106
1RS2	200	600	106
1RS3	200	850	106

Flange Type

Model	A (mm)	B (mm)	C (mm)
1RS1	263	350	106
1RS2	263	600	106
1RS3	263	850	106